

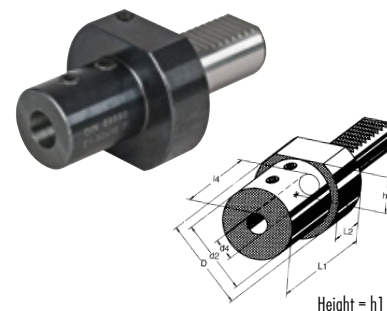
SARA® Tool holders for drilling tools

- Surface hardness 58 - 60 HRC
- Core strength HV 950 N/mm²
- Case depth 0.8 mm ± 0.2 mm
- Fully burnished and precision-ground

Type E1, for straight shank drilling tools with an internal coolant supply

VDI mount diameter	D mm	d2 mm	d4 mm	Height mm	L1 mm	L2 mm	l4 mm	art.no.	€
20	50	40	20	18	67	16	49	446031 2020	87,50
20	50	45	25	18	71	16	53	446031 2025	87,50
30	68	40	20	28	67	22	45	446031 3020	87,50
30	68	45	25	28	71	22	49	446031 3025	87,50
30	68	50	32	28	75	22	53	446031 3032	87,50
30	68	60	40	28	95	22	73	446031 3040	87,50
40	83	40	20	32.5	67	22	45	446031 4020	94,90
40	83	45	25	32.5	75	22	53	446031 4025	94,90
40	83	52	32	32.5	75	22	53	446031 4032	94,90
40	83	60	40	32.5	90	22	68	446031 4040	94,90
50	98	45	25	35	80	30	50	446031 5025	122,50
50	98	52	32	35	80	30	50	446031 5032	122,50
50	98	65	40	35	90	30	60	446031 5040	122,50
50	98	75	50	35	100	30	70	446031 5050	122,50

4134



Type E2, for straight shank turning tools with an internal and external coolant supply

VDI mount diameter	D mm	d2 mm	d4 mm	Height mm	L1 mm	L2 mm	l4 mm	art.no.	€
20	50	50	8	23	50	18	32	446033 2008	82,20
20	50	50	10	23	50	18	32	446033 2010	82,20
20	50	50	12	23	50	18	32	446033 2012	82,20
20	50	50	16	23	50	18	32	446033 2016	82,20
20	50	50	20	23	50	18	32	446033 2020	82,20
20	50	50	25	23	60	18	42	446033 2025	82,20
30	68	68	8	28	60	22	38	446033 3008	82,20
30	68	68	10	28	60	22	38	446033 3010	82,20
30	68	68	12	28	60	22	38	446033 3012	82,20
30	68	68	16	28	60	22	38	446033 3016	82,20
30	68	68	20	28	60	22	38	446033 3020	82,20
30	68	68	25	28	60	22	38	446033 3025	82,20
30	68	68	32	28	75	22	53	446033 3032	82,20
30	68	68	40	28	90	22	68	446033 3040	82,20
40	83	83	8	32.5	75	22	53	446033 4008	83,30
40	83	83	10	32.5	75	22	53	446033 4010	83,30
40	83	83	12	32.5	75	22	53	446033 4012	83,30
40	83	83	16	32.5	75	22	53	446033 4016	83,30
40	83	83	20	32.5	75	22	53	446033 4020	83,30
40	83	83	25	32.5	75	22	53	446033 4025	83,30
40	83	83	32	32.5	75	22	53	446033 4032	83,30
40	83	83	40	32.5	90	22	68	446033 4040	83,30
50	98	98	12	35	90	30	60	446033 5012	115,-
50	98	98	16	35	90	30	60	446033 5016	115,-
50	98	98	20	35	90	30	60	446033 5020	115,-
50	98	98	25	35	90	30	60	446033 5025	115,-
50	98	98	32	35	90	30	60	446033 5032	115,-
50	98	98	40	35	90	30	60	446033 5040	115,-
50	98	98	50	35	100	30	70	446033 5050	115,-

4134

